



# Lockers



## Mecalux lockers make the difference

### Style and sturdiness

Mecalux lockers embrace a new concept in compact, aesthetic design that can suit any type of environment: dressing rooms, offices, schools among many others.

Frames integrated into the side panels, double-panelled doors, no feet... each of these elements has been carefully designed to provide high rigidity.

### Guaranteed quality

High quality, cold-rolled steel treated with special processes is used in the manufacturing process guaranteeing our lockers with high resistance and long durability.

### Simplicity

The components that make up the locker are supplied in a "Knock Down" form and have been optimised in a way which is advantageous for transportation. There is no need for tools or screws which simplifies the assembly process.

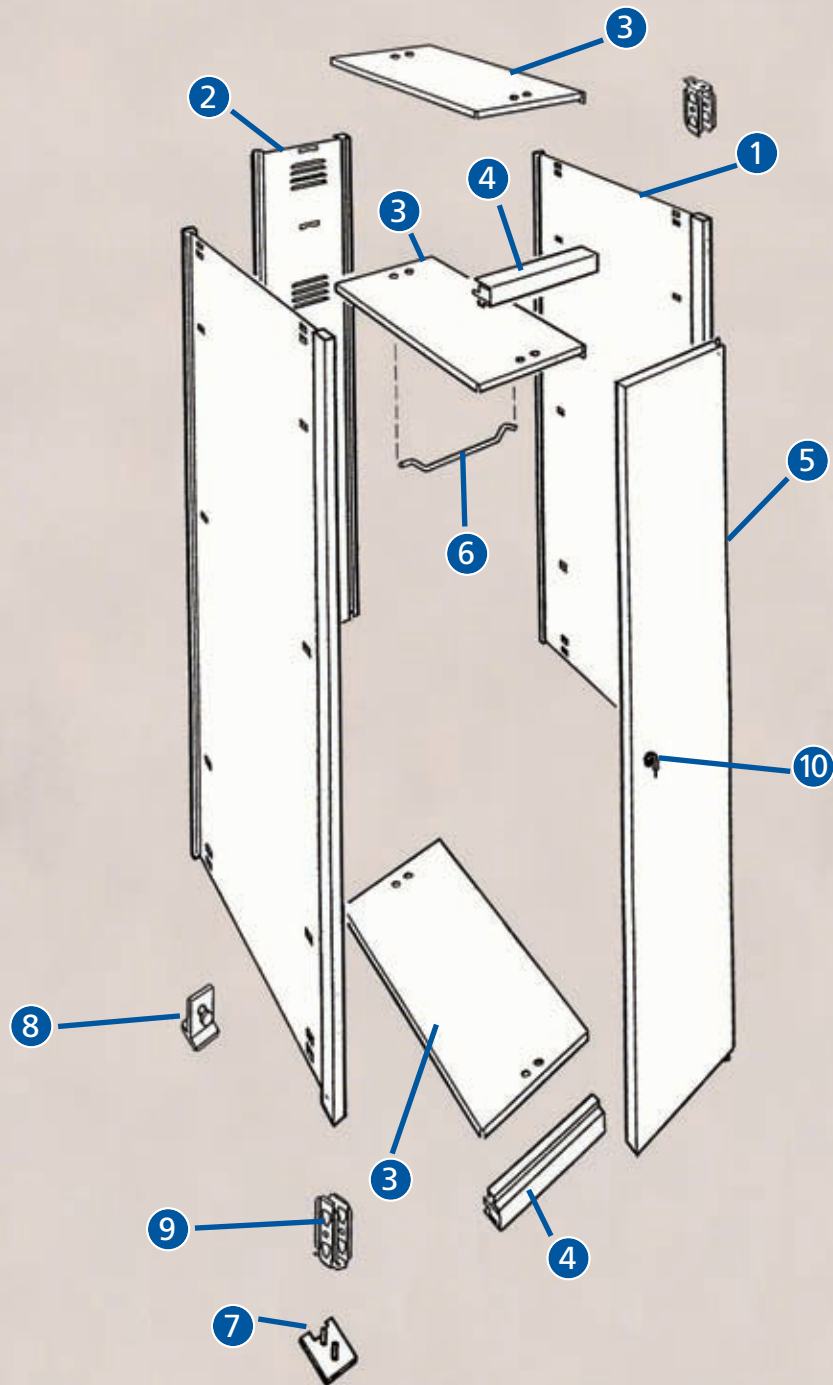
### A modular system

Multiple possibilities from the standard combination along with a wide range of accessories allow the system to be tailor made to individual needs.

Starting from an initial unit, an unlimited number of lockers can be joined creating thus an area to suit.

## Basic components

- 1) Side panels
- 2) Back panel
- 3) Shelf
- 4) Cross ties
- 5) Door
- 6) Hanging bar
- 7) Front footplate
- 8) Rear footplate
- 9) Clamp
- 10) Lock



## Multiple combinations



### Modular door compartment lockers

Thanks to the modular door system, lockers come with one, two or four separate compartments to suit different needs.



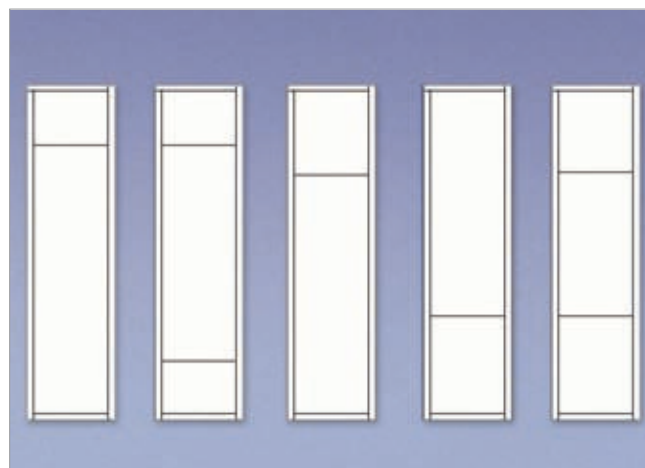
### Three different widths

The lockers are manufactured in three widths of 25, 30 and 40 cm and have a total height of 180 cm and a depth of 50 cm.



### Reversible doors

Depending on the requirements, the locker doors can be installed in a manner that allows to have the opening either to the left or right side. The specific frame design allows maximum opening for the doors which permits easy accessibility to personal belongings.



### Interior distribution

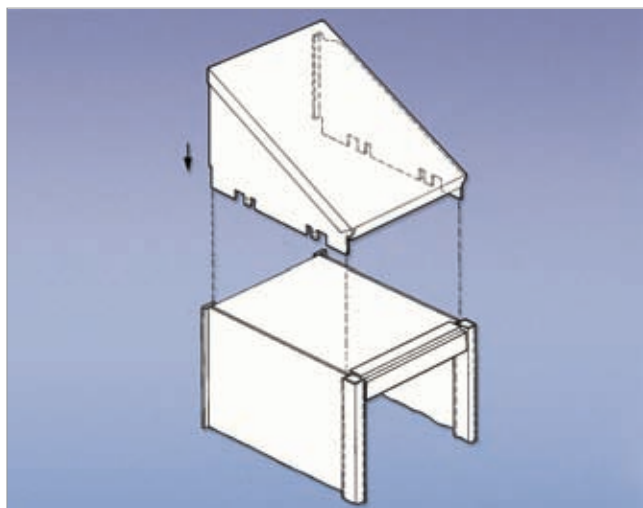
The fitting of intermediate shelves within the locker provide various compartment combinations.

### Finishing

All the structural components are manufactured with galvanised steel which provides the locker with greater resistance against corrosion.

The doors are available in either galvanised steel or painted in blue RAL 5010 and with an embossed finish.

## Accessories



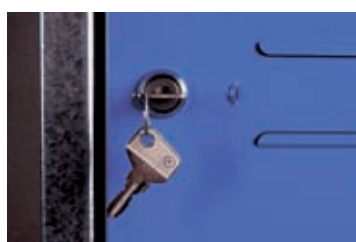
### Sloping tops

The tops simply fit into the side panels and, due to their design, prevent items from being placed on top and also ease the problem for cleaning.



### Lock and card holder

Locks are available with either a key or can be prepared for a padlock option. A practical card holder beside the lock is available which permits personal identification for each locker.

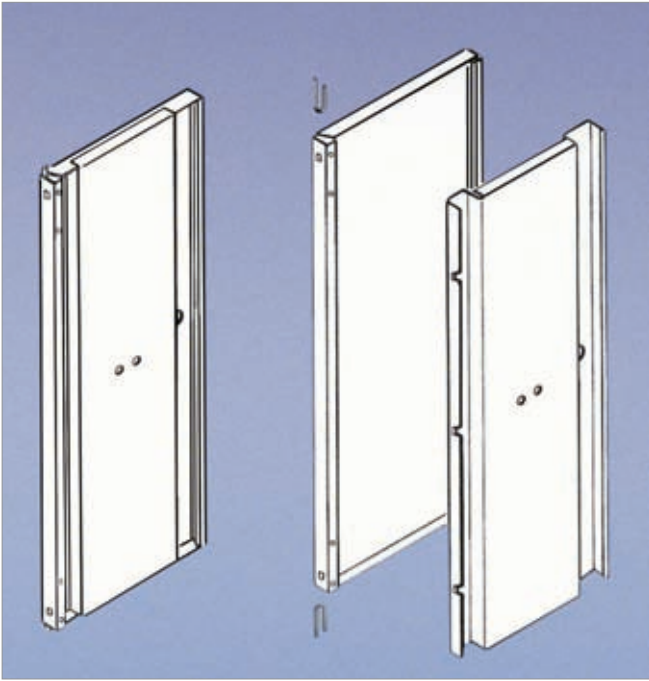


### Interior dividers

The locker can be separated into compartments by fitting a central partition: for work and normal clothing, to keep dry and damp clothes separate, etc. In the 40 cm wide locker, the divider can be adjusted, obtaining different interior volumes.



## Functional details



### Reinforced doors

Reinforced doors are available for the 40 cm wide lockers. These doors are made up of two panels that fit together accurately without the need for welding, providing greater strength and a perfect finish for the locker.



### Rear ventilation

Air vents are set in the back panels allowing thus a smooth finish to the front.



The plinth base avoids the accumulation of dirt under the locker as well as providing a compact finish to the block.

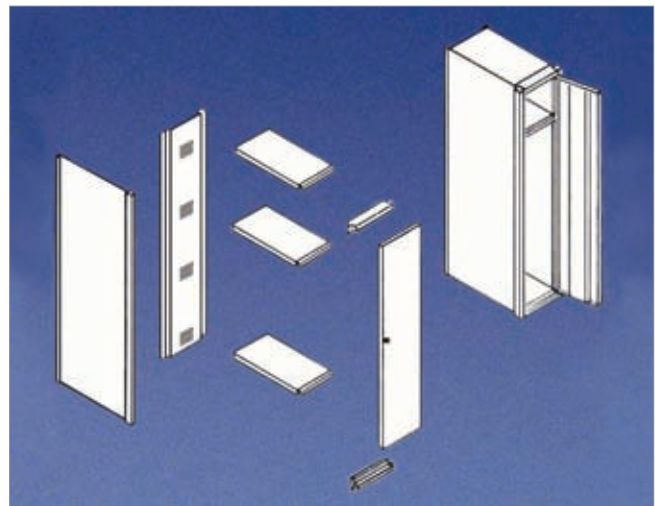
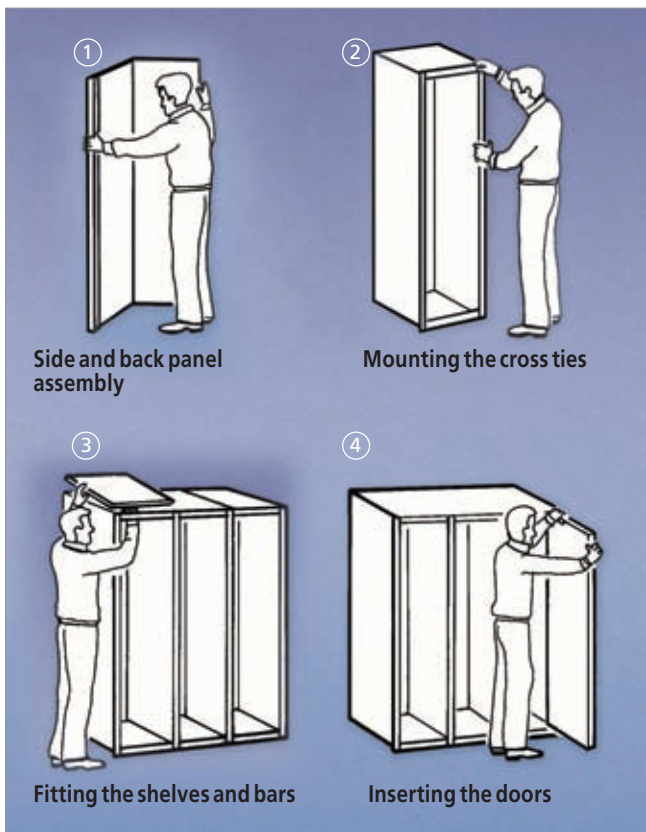


Lockers with legs prove to be extremely useful when cleaning beneath the locker is required.



The hanging bars fit safely and easily into the shelves.

## Very easily assembled



The assembly of these lockers is extremely easy and there is no need for screws or tools. A further advantage is that fitting can be carried out by just using the accompanying assembly instructions. The benefit of these lockers is that by starting with the initial module, it is possible to add as many lockers as required regardless of the type.

### Decorative side panels

Optional side panels of the same colour as the doors can be fitted on the external sides.



### Benches

Mecalux can also supply benches to complete the range of lockers.





**HEAD OFFICE - SPAIN** - Silici, 1 - 08940 Cornellà de Llobregat - Barcelona  
**Tel. +34 932 616 913 – info@mecalux.com – www.mecalux.com**

**EUROPE**

**BELGIUM**

Tel. +32 2 346 90 71  
info@mecalux.be  
**www.mecalux.be**

**CZECH REPUBLIC**

Tel. +420 222 524 240  
info@mecalux.cz  
**www.mecalux.cz**

**FRANCE**

Tel. +33 01 60 11 92 92  
info@mecalux.fr  
**www.mecalux.fr**

**GERMANY**

Tel. +49 (0) 2133 5065 0  
info@mecalux.de  
**www.mecalux.de**

**ITALY**

Tel. +39 02 98836601  
info@mecalux.it  
**www.mecalux.it**

**NETHERLANDS**

info@mecalux.co.nl  
**www.mecalux.co.nl**

**POLAND**

Tel. +48 32-331 69 66  
info@mecalux.pl  
**www.mecalux.pl**

**PORTUGAL**

Tel. +351 21 415 18 90  
info@mecalux.pt  
**www.mecalux.pt**

**SLOVAKIA**

Tel. + 421 220 545 117  
info@mecalux.sk  
**www.mecalux.sk**

**TURKEY**

Tel. +90 216 706 10 15  
info@mecalux.com.tr  
**www.mecalux.com.tr**

**UNITED KINGDOM**

Tel. +44 0121 3336 602  
info@mecalux.co.uk  
**www.mecalux.co.uk**

**AMERICA**

**ARGENTINA**

Tel. +54 (11) 4006-4444  
info@mecalux.com.ar  
**www.mecalux.com.ar**

**BRAZIL**

Tel. +55 19 3809-6800  
info@mecalux.com.br  
**www.mecalux.com.br**

**CHILE**

Tel. +56 (2) 2827 6000  
info@mecalux.cl  
**www.mecalux.cl**

**MEXICO**

Tel. +52 (664) 647 22 00  
info@mecalux.com.mx  
**www.mecalux.com.mx**

**PERU**

Tel. +51 (1) - 422 6060  
info@mecalux.pe  
**www.mecalux.pe**

**URUGUAY**

Tel. +598 2683-8879  
info@mecalux.com.uy  
**www.mecalux.com.uy**

**USA**

Tel. 1-877-632-2589  
info@interlakemecalux.com  
**www.interlakemecalux.com**

